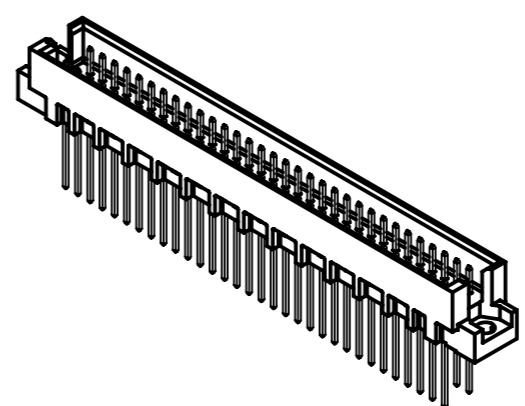
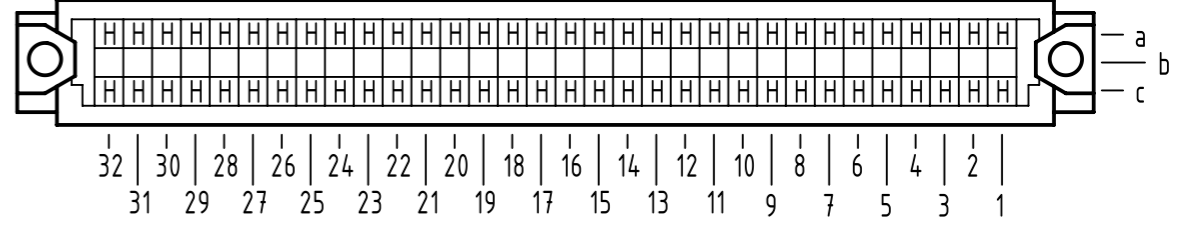
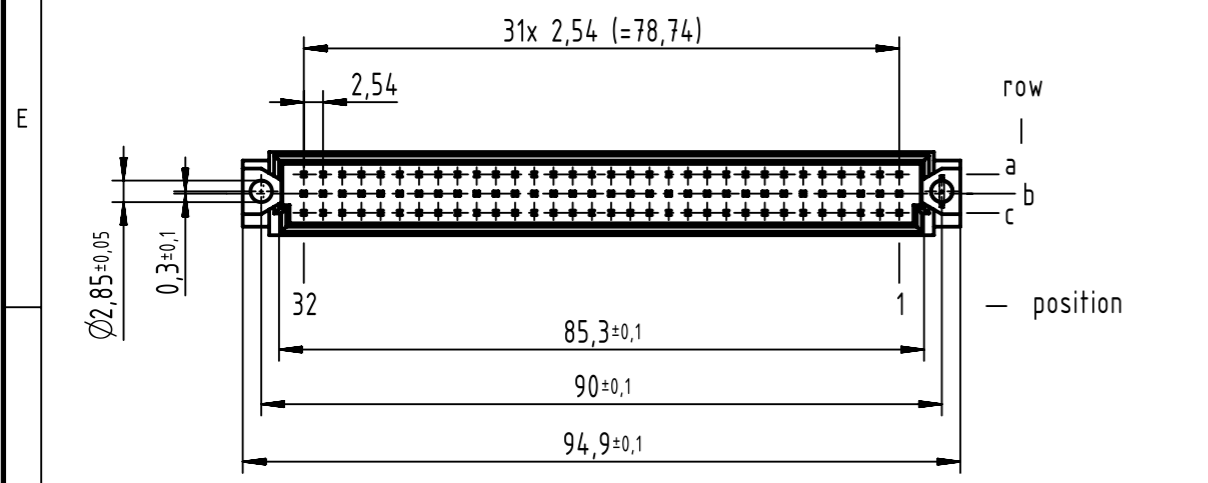
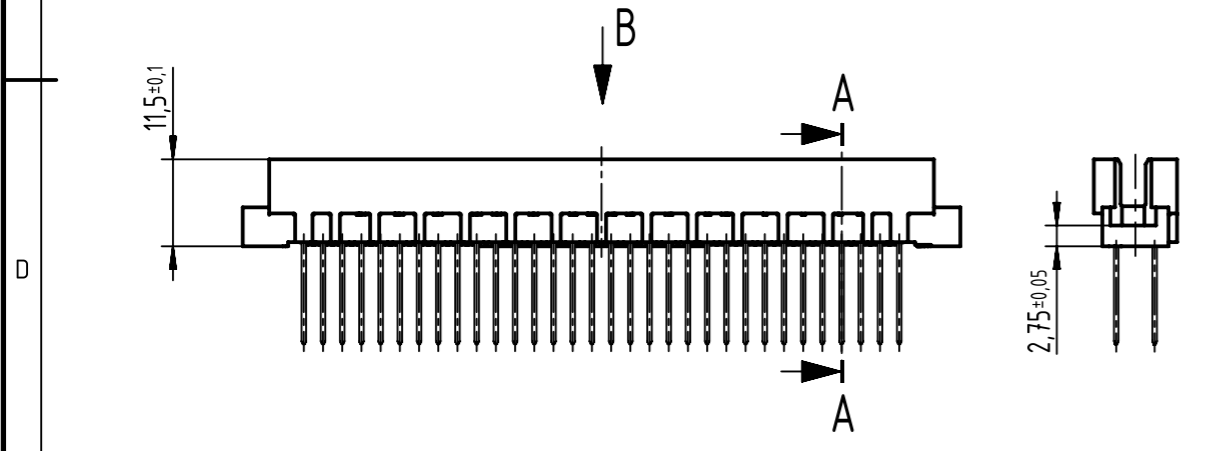
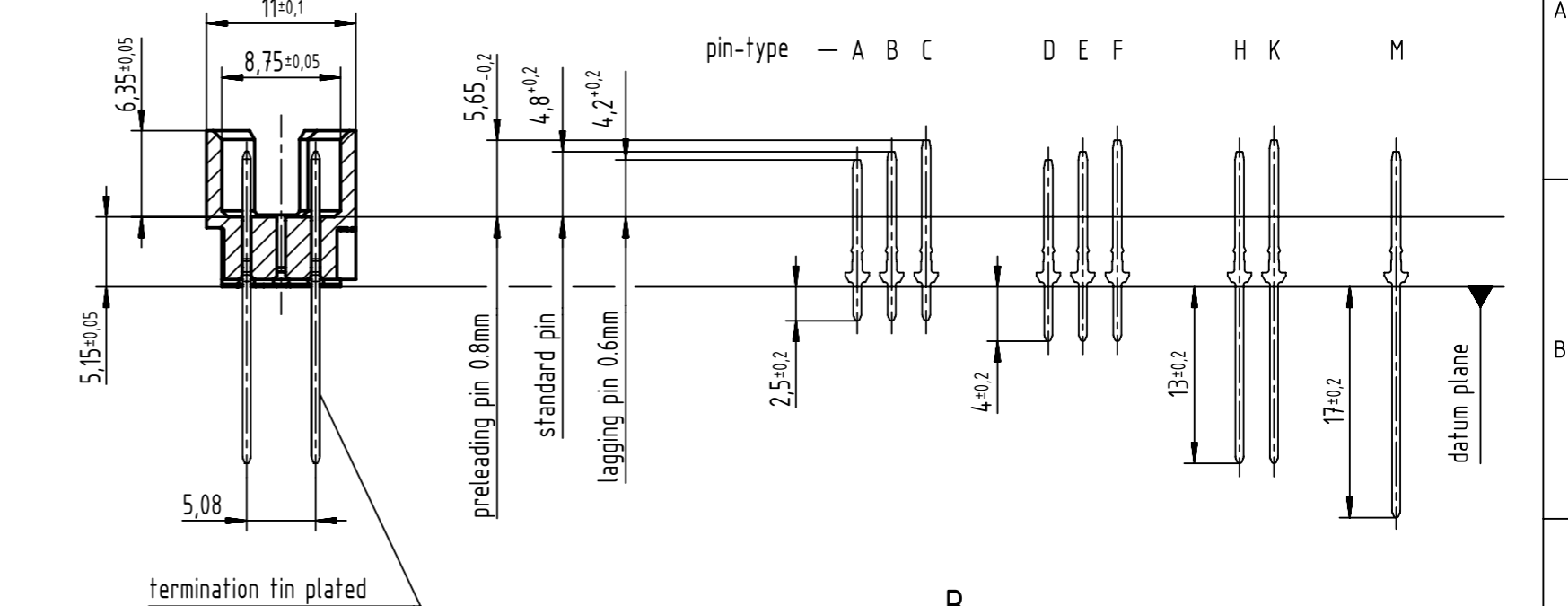


A-A (2:1)



① further informations see: DS 09731100001

09 73 164 6577	2
part-no.	performance level ①

	All Dimensions in mm Original Size DIN A3		Scale 1:1	Free size tol. IEC 60603-2	Ref. Sub. TB 0973164x577 / Mod. 35548 / 17.07.2009	
	All rights reserved Department EL PD		Created by LEHNERT	Inspected by DAHMS	Standardisation HOFFMANN	Date 2017-10-26
HARTING Electronics GmbH D-32339 Espelkamp		Title DIN Signal type R male solder 13mm 64-pole			Doc-Key / ECM-Nr. 100188053/UGD/070/C 500000126094	
		Type TB	Number 0973164X577		Rev. C	Page 1/1